

## 1129 Vlinderklep met hendel type LUG afdichting EPDM

### APPLICATION

VPG butterfly valves are intended for ON/OFF or control use in fluid transfer circuits.

- Area of use: HVAC.



- Fluids : cold water, hot water, wastewater, liquid discharges, etc.  
«Not suitable for steam application»

### GENERAL CHARACTERISTICS

Range : from DN40 to DN300.

- Design according to NF EN 593
- Type with threaded lugs
- Sealing in both directions of circulation of the piping
- Soft sleeve guaranteeing a perfect tightness
- Extended neck compatible with pipe lapping
- Disc profiled and reduced in thickness
- Reduced maneuvering torque
- Coupling stem on disc assembled by conical pin
- Reduced head losses.
- Notched sector providing 10 positions of adjustment of the handle.
- ISO 5211 mounting plate.



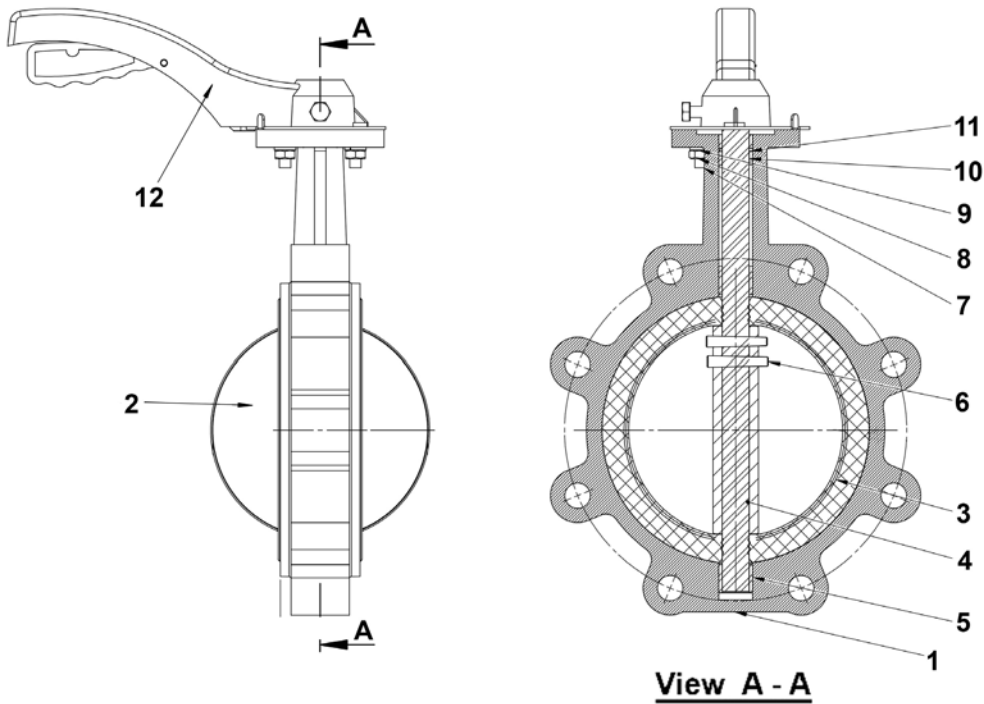
### STANDARDS

|                     |   |
|---------------------|---|
| <b>Design</b>       | Manufacture according to the requirements of the European directive 2014/68/UE «Equipment under pressure»: modulate H.                                    |
| <b>Face to face</b> | Face to face according to standards NF EN 558-1 série 20, ISO 5272 série 20, DIN 3202.  |
| <b>Connection</b>   | Mounting with flanges : ISO PN10/16 from DN40 to DN150<br>and PN16 from DN200 to DN300<br>in accordance with the standards EN1092-2, BS450, AISI B16.1-5. |
| <b>Tests</b>        | Pressure test according to standards EN12266-1, DIN 3230, BS 5154 and ISO 5208:<br>-Body : 1.5 x WP bar<br>-Seat : 1.1 x WP bar                           |

### PRODUCT APPROVALS



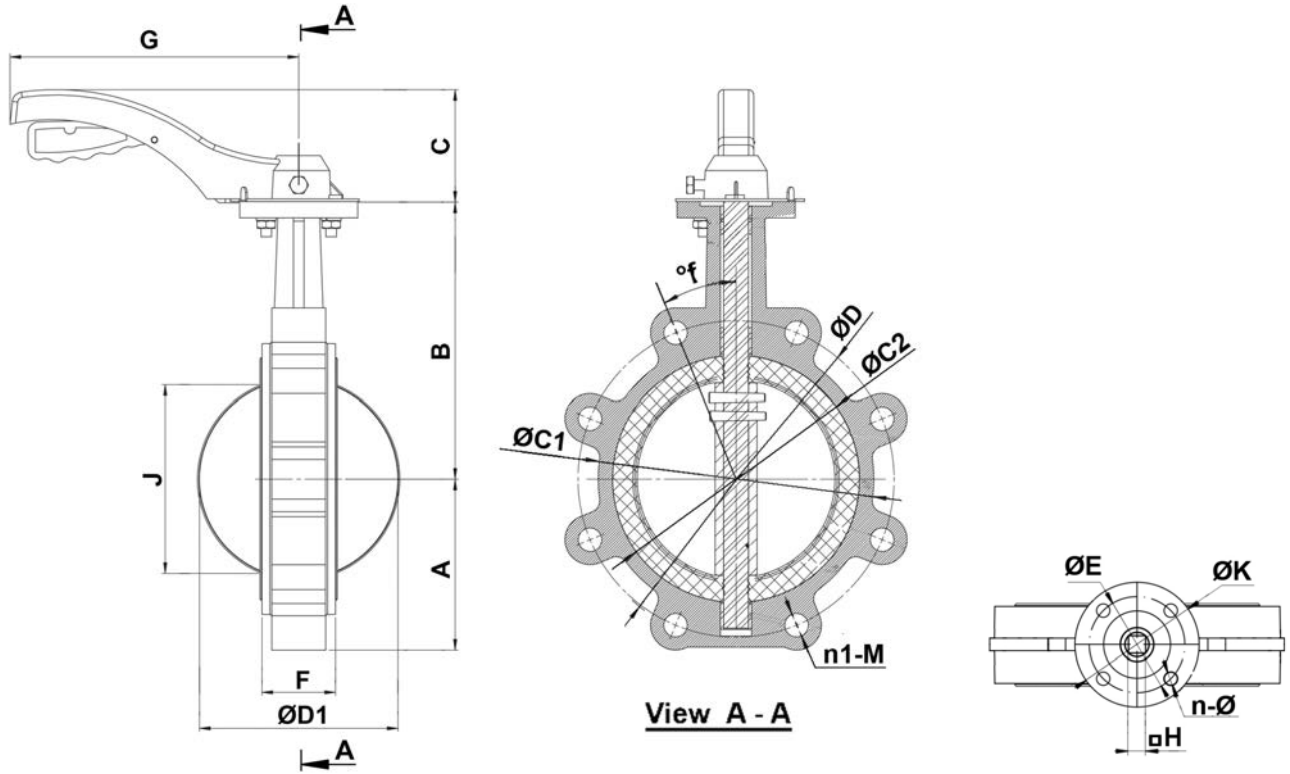
## CONSTRUCTION



Oven backed epoxy coated body RAL 5019 thickness 150μ

| Pos. | Q-ty | Description | Material   | Equivalences |               |           |
|------|------|-------------|--|--------------|---------------|-----------|
|      |      |             |  | DIN          | ASTM          | BS        |
| 1    | 1    | Body        | Ductile iron EN-GJS-400                          | GGG40        | A536 65-45-12 | EN-JS1030 |
| 2    | 1    | Disc        | Ductile iron EN-GJS-400 + Nickel                 | GGG40        | A536 65-45-12 | EN-JS1030 |
| 3    | 1    | Sleeve      | Heat EPDM  |              |               |           |
| 4    | 1    | Stem        | Stainless steel 420                              | X20Cr13      |               |           |
| 5    | 2    | Bushing     | PTFE   |              |               |           |
| 6    | 2    | Pin         | Stainless steel 420                              | X20Cr13      |               |           |
| 7    | 2    | Screw       | Stainless steel 201                              |              |               |           |
| 8    | 2    | Nut         | Stainless steel 201                              |              |               |           |
| 9    | 2    | Washer      | Stainless steel 201                              |              |               |           |
| 10   | 2    | Bushing     | PTFE   |              |               |           |
| 11   | 1    | O ring      | EPDM   |              |               |           |
| 12   | 1    | Handle      | Aluminium (DN40-150)<br>Ductile iron (DN200-300) |              |               |           |

## DIMENSIONS



| DN  |       | A   | B   | C   | ØC1 | ØC2 | ØD  | ØD1 | n1-M   | F    | G   | ØE  | ØK  | n-Ø   | f°    | H  | Torque (Nm) | Weight (kg) |
|-----|-------|-----|-----|-----|-----|-----|-----|-----|--------|------|-----|-----|-----|-------|-------|----|-------------|-------------|
| mm  | inch  |     |     |     |     |     |     |     |        |      |     |     |     |       |       |    |             |             |
| 40  | 1 1/2 | 60  | 102 | 75  | 88  | 71  | 110 | 43  | 4-M16  | 33   | 175 | 50  | 65  | 4-Ø7  | 45°   | 9  | 12          | 2.7         |
| 50  | 2"    | 60  | 128 | 78  | 93  | 75  | 125 | 53  | 4-M16  | 43   | 175 | 50  | 65  | 4-Ø7  | 45°   | 9  | 16          | 3.05        |
| 65  | 2 1/2 | 72  | 140 | 78  | 110 | 92  | 145 | 65  | 4-M16  | 45   | 175 | 50  | 65  | 4-Ø7  | 45°   | 9  | 18          | 3.5         |
| 80  | 3"    | 89  | 146 | 78  | 123 | 105 | 160 | 79  | 8-M16  | 46   | 175 | 50  | 65  | 4-Ø7  | 45°   | 9  | 25          | 4.6         |
| 100 | 4"    | 100 | 165 | 78  | 156 | 134 | 180 | 105 | 8-M16  | 52   | 175 | 50  | 65  | 4-Ø7  | 22.5° | 11 | 42          | 6.6         |
| 125 | 5"    | 116 | 175 | 98  | 183 | 158 | 210 | 124 | 8-M16  | 54.4 | 220 | 70  | 90  | 4-Ø10 | 22.5° | 14 | 65          | 8.5         |
| 150 | 6"    | 131 | 199 | 99  | 211 | 187 | 240 | 155 | 8-M20  | 56   | 220 | 70  | 90  | 4-Ø10 | 22.5° | 14 | 110         | 10.4        |
| 200 | 8"    | 162 | 220 | 93  | 264 | 236 | 295 | 203 | 12-M20 | 60   | 353 | 102 | 125 | 4-Ø12 | 15°   | 17 | 200         | 17.2        |
| 250 | 10"   | 195 | 251 | 93  | 329 | 291 | 355 | 251 | 12-M24 | 66   | 353 | 102 | 125 | 4-Ø12 | 15°   | 22 | 330         | 28.2        |
| 300 | 12"   | 228 | 288 | 109 | 385 | 342 | 410 | 302 | 12-M24 | 77   | 502 | 102 | 125 | 4-Ø12 | 15°   | 22 | 500         | 44          |

## WORKING CONDITIONS

Maximum working pressure : 16 bar  
 Maximum vacuum pressure : 0.8 bar for 10 minutes  
 Maximum working temperature : -15°C / +130°C  
 Peak temperature : -30°C / +150°C



NI